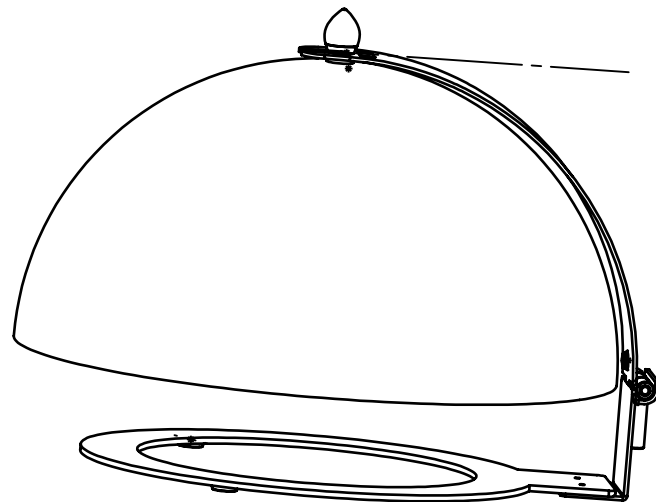
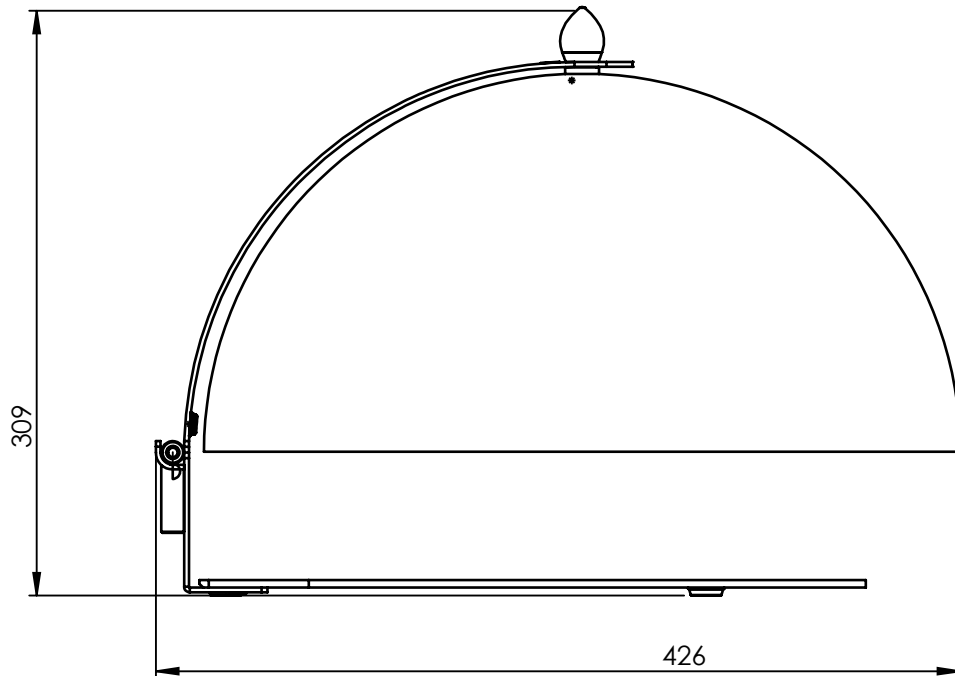


ITEM NO.	PART NUMBER	DESCRIPTION	QTY.
1	EB 642 E		1
2	EB 641 E		1



(field of Application) Frilich component			(finish)	(tolerance) DIN 7168 mid.	(scale) 1:5 (material)	(weight)	
			date:	name:	(name)		
			drawn. 27.02.2015	MG			
			proc. 27.02.2015	MA			
			chk'd.				
			<b>FRILICH</b> <sup>®</sup> <small>THE INFORMATION CONTAINED IN THIS DRAWING IS THE SOLE PROPERTY OF FRILICH GmbH. ANY REPRODUCTION IN PART OR AS A WHOLE WITHOUT THE WRITTEN PERMISSION OF FRILICH IS PROHIBITED.</small>			(drawing No.) NB 001 E	(sheet) 1/1
Index.	revision	date				name	(origin.)